

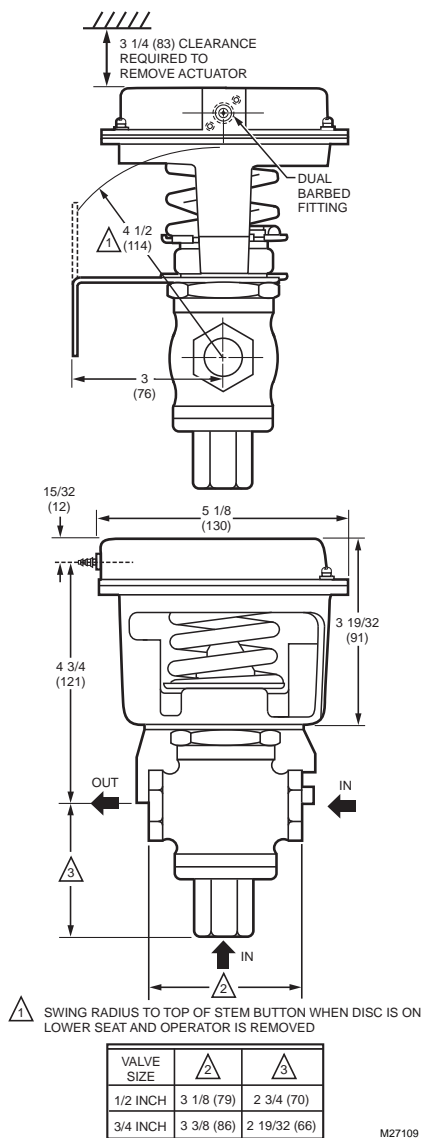
VP519 Two-Position Three-Way Air Valve



Two-position, three-way, pneumatic air valve used to control main airflow in large Day-Nite or Summer-Winter pneumatic control systems. Replacement device is available for Johnson, Powers, Robertshaw, Barber-Colman, and older Honeywell devices.

- Spring-loaded, self-adjusting Teflon® cone packing.
- Removable composition upper and lower discs.
- Actuator can be rotated on valve bonnet for alignment with air piping.
- Right-angle mounting bracket permits mounting on a wall or panel.
- Cast bronze body, 1/4" stroke.

Dimensions in inches (millimeters)



Valve Type: Globe Valve

Body Pressure: 150 psi (1034 kPa)

Air Connections: Dual barbed for 5/32 in. or 1/4 in. plastic tubing

Valve Action: Two Position

Type of End Connection: NPT

Operating Humidity Range (% RH): 5 to 95% RH

Temperature Range: 35 F to 115 F (2 C to 46 C)

Maximum Actuator Temperature: 160 F (71 C)

Maximum Diaphragm Pressure: 25 psi (172 kPa)

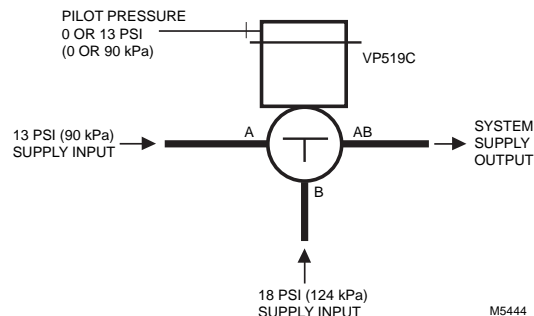
Replacement Parts:

312760-MP953A,C,E (5 in. diameter) regular temperature Neoprene diaphragm - new style

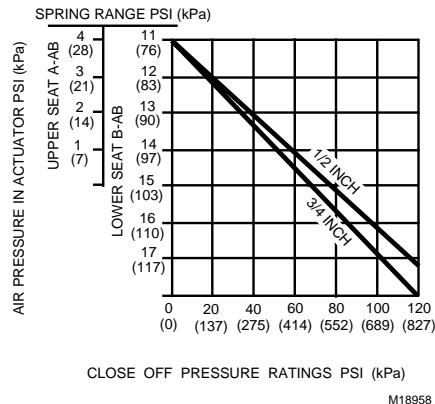
313744A-Actuator Replacement Assembly for the VP519 Valve

14003294-002-Valve Repack Kit, Steam or water application

VP519 Typical Piping Diagram



Close-off Ratings for the VP519



Product Number	End Connection Size		Capacity		Close-off Ratings at Branch Line Pressure	Spring Range		Body Pattern
	(inch)	(mm)	(Cv)	(Kv)		(psi)	(kPa)	
VP519C1006/U	1/2 in.	12.7 mm	5.5 Cv	4.75 Kv	120 psid at 18 psi	6 psi to 9 psi	41 kPa to 62 kPa	Three-way